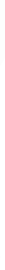




الشركة العربية الموحدة
Arabia United Co.,

Arabia United Catalogue

2024



أفراح الطبية

ProBio
Medical

أفراح الطبية

ProBio
Medical

أفراح الطبية

ProBio
Medical

أفراح الطبية

ProBio
Medical

أفراح الطبية ProBio Medical Catechology 2024



Arabia United Co.,



الشركة العربية الموحدة
Arabia United Co.,



العربية

Arabia
Medical

Arabia United Co.,

Company Profile Arabia United Co.

Introduction:

Established in 2004, Arabia United Co. has become a cornerstone in the Libyan healthcare sector as one of the top suppliers and service providers of medical equipment. Specializing in a wide array of medical apparatus and infrastructure, we cater to various healthcare needs ranging from operating theatre setups to emergency response equipment.

Mission Statement:

To empower healthcare providers through innovative medical solutions that enhance patient care, ensuring robust support services from procurement to post-installation maintenance.

Vision:

To set the benchmark for excellence in the medical supplies industry and be recognized as the most reliable partner for healthcare advancements in Libya and beyond.

Core Values:

- **Dedication to Quality:** We deliver products that adhere to the highest standards of safety and efficacy.
- **Innovation:** Staying ahead with cutting-edge technology to revolutionize patient care.
- **Integrity:** Conducting business with unwavering ethical principles.
- **Collaboration:** Building strong relationships with stakeholders based on trust and mutual respect.
- **Responsiveness:** Ensuring swift action to meet our clients' needs in a dynamic healthcare environment.

TABLE OF CONTENTS

01 Operating Theatre Equipment

- 1.1. Operating Table.
- 1.2. Surgical LED ceiling mount
Operating Light.
- 1.3. Anesthesia Machine.
- 1.4. Defibrillator.
- 1.5. Electrosurgical Unit.
- 1.6. Electrosurgical Accessories.
- 1.7. Surgical Suction.
- 1.8. Operating Theatre Furniture.

02 Endoscope – Laparoscope

- 2.1. Flexible Endoscope Tower.
- 2.2. Surgical Endoscope Tower.
- 2.3. Hand Hold Video Bronchoscope.
- 2.4. Endoscope Lens.

03 Steam Sterilizer

- 3.1. 160 Liter steam Sterilizer.
- 3.2. 170 Liter Steam Sterilizer.
- 3.3. 100 Liter Steam Sterilizer.

04 Life Support Equipment

- 4.1. ICU Ventilator.
- 4.2. Handheld Ventilator.
- 4.3. Portable Ventilator.
- 4.4. Abmu Bag.
- 4.5. Humidifier.

05 Radiology

- 5.1. Echo Color doppler and 4D
Ultrasound.
- 5.2. Echo Color Doppler for Cardiology.
- 5.3. General Examination Color Echo
Doppler.
- 5.4. Handheld Ultrasound.
- 5.5. Portable B/W ultrasound.
- 5.6. Ultrasound Trolley.
- 5.7. Color Ultrasound Printer.
- 5.8. B/W Ultrasound Printer.

06 Baby Care

- 6.1. Baby Incubator.
- 6.2. Baby Warmer.
- 6.3. Baby Cot.
- 6.4. Bilirubin treatment equipment.
- 6.5. Jaundice Detector.
- 6.6. Bubble CPAP.
- 6.7. Bubble Cpap Accessories.
- 6.8. Oxygen Tent.
- 6.9. Head Fixation Unit.

07 Gynecology

- 7.1. Cardiotocography (CTG).
- 7.2. Delivery Cups.

TABLE OF CONTENTS

08 Monitoring Equipment

- 8.1. Analgesia Nociception Index.
- 8.2. Patient Monitors.
- 8.3. Patient Monitor Accessories.
- 8.4. ECG Holter.
- 8.5. Ambulatory Blood Pressure Monitor.
- 8.6. Electrocardiograph (ECG).
- 8.7. ECG accessories.

09 Pumps

- 9.1. Infusion Pumps.
- 9.2. Syringe Pumps.

10 Diagnostic Equipment

- 10.1. Video Laryngoscope.
- 10.2. Laryngoscope.
- 10.3. Otoscope.
- 10.4. Indirect Ophthalmoscope.
- 10.5. Vein Viewer.

11 Motors

- 11.1. Motors - Plaster Saw.

12 Dermatology

- 12.1. Electrosurgical Unit.
- 12.2. Cryo Gun.
- 12.3. Liquid Nitrogen Tank.

13 Medical Gas Equipment

- 13.1. 220 m³/h Medical Gas Pressure manifold.
- 13.2. Medical Air Compressor.
- 13.3. Bedhead Units.
- 13.4. Gas Outlets.
- 13.5. Oxygen Regulators.
- 13.6. Vacuum Regulator.

OPERATING THEATRE EQUIPMENT



- ▶ **1.1. Operating Table.**
- ▶ **1.2. Surgical LED ceiling mount Operating Light.**
- ▶ **1.3. Anesthesia Machine.**
- ▶ **1.4. Defibrillator.**
- ▶ **1.5. Electrosurgical Unit.**
- ▶ **1.6. Electrosurgical Accessories.**
- ▶ **1.7. Surgical Suction.**
- ▶ **1.8. Operating Theatre Furniture.**

1.1 Electrical Operating Table



UZUMCU Turkey - OPT-200P

Uzümçü OPT-200P operating tables are designs which can be adjusted to get positions suitable for carrying out all surgical operations, produced by Considering the patient and user requirements and maximize the operational efficiency.

Functions and Features:

Electrical Movements

- Height.
- Back Rest.
- Trendelenburg.
- Reverse Trendelenburg.
- Lateral Tilt.
- Sliding.

Mechanical Movements:

- Head Rest.
- Kidney Surgery Position.
- Leg Rests, Up / Down.
- Leg Rests, Right / Left.
- Central Locking.

Sizes:

- Width x Length: 610x2130 mm.
- Height (min): 800 mm.
- Height (max): 1200 mm.

1.1 Orthopedic Traction Set With Trolley



Operating
Equipment

UZUMCU Turkey - OPM-555 And OPM-550

Orthopedic traction set is suitable for use with all UZUMCU operating tables in orthopedic surgeries.

- Made of 304 quality stainless steel.
- Leg strainer function by mechanical lever.
- Traction boots with up & down movement and rotation capability around its own axis.

Orthopedic Traction Set Accessories Trolley

- Made of 304 quality stainless steel.
- Four Castor with Breaking system.
- With Baske.

1.2 Surgical LED ceiling mount Operating Light



UZUMCU Turkey - CL-62D

LED operating lights are designed to meet all lighting and viewing requirements of operating theatres. Powerful LED technology with high-tech camera solution helps the surgeons to operate and view the surgery area clearly. Opera LED lights can be adapted in any size of operating theatres including large hybrid types with variety of models & combinations.

Functions and Features:

Electrical Movements

- The color temperature of the lights can be selected in 7 different settings between 3.500K 5.000K. These settings allow users to see the tissues in their true color.
- The light level can be adjusted between 1-100 on the control panel and helps the user to set the desired light level exactly. With a single touch on the control panel, the user can switch the light to endoscopy mode.
- There are 68 LEDs in the main head and 28 LEDs in the satellite head.
- Failure of a bulb during operation does not affect other bulbs and the lamp continues to work.
- It will be enough to replace only the damaged bulb.

1.3 Anesthesia Workstation for Neonate, Pedi and Adult



Operating Equipment

HERSILL Spain - Genesis

The **Genesis**® anesthesia workstations meet your most ambitious requirements. They stand out for their lung protective ventilation, accuracy and performance, cost saving, design and ergonomics, safety and versatility.

Description

- Monitor with 18.5" projected capacitive touchscreen, supported on a 360° rotating arm and tilting in 2 axes.
- Integration of capnography and analysis of anesthetic gases **Masimo**® (Optional).
- Equipped with the most advanced ventilation modes.
- Configurable alveolar recruitment maneuver interface, with multiple options, automatic calculations and tracing tools.
- Advanced volumetric capnography interface.
- Electronic rotameters with precise mass-flow sensors, allowing low and minimal flow anesthesia.
- Modular design for easy maintenance.
- Easy to perform installation and calibration procedures.
- The patient's gases are confined in the Compact Anesthesia Respiratory System (CABS), which is fully autoclavable at 134 °C.
- The performance of the hospital's Anesthetic GAs Evacuation System (AGSS) is displayed on the touch screen, notifying possible contamination of the operating theatre.
- Full intuitive interface with settings, ventilation and gases monitoring, graphs, trends, AGSS performance, alarms, etc.
- Compatible with any re-breathing, semi-closed and non-re-breathing circuit.
- Two auxiliary arm supports to add any hemodynamic ICU monitor and infusion pumps.

1.4 Defibrillator equipped with accumulator food with recharge function



ITC Korea - 400D

Functions and Features:

- Monophase dempfirovanny sinusoidal impulse.
- Asynchronous outside defibrillation in the manual mode.
- Time of accumulation of energy for the 360 J category – no more than 7 sec.
- Function of automatic dumping of the gained energy if the category was not made during 15 sec.
- 35 categories on 360 J (+ 10 reserve) at completely charged accumulator.
- Reusable electrodes for a defibrillation ("irons"), the adult and built - in them nurseries.
- The simple user interface with intuitively clear symbols and step - by - step instructions.
- Automatic self - testing and control of operability after inclusion.
- Power supply from the rechargeable battery (built - in charger).
- Cables of external digit electrodes are reliably placed in the body.
- Shock - resistant body.
- High reliability and optimum ratio of the price and consumer characteristics.

1.5 400W ELECTROSURGICAL UNIT



Operating Equipment

ITC Korea - 400D

Technical Specifications

- The ITC-400D is a multi-purpose electro-surgical.
 - generator for use in the modern operating room and surgical center.
 - It features both monopolar and bipolar functions to satisfy all of your surgical demands.
 - 4 Modes of Monopolar CUT.
 - 3 Modes of Monopolar COAG.
 - 1, 2 Mode of Bipolar CUT/COAG.
 - The D.R.M.(ITC patient Return electrode Monitoring) System is designed to deactivate the generator to prevent the injury or burns during operation.
- An Alarm will sound, and the output will automatically cut off in the event of a loss of contact.
 (ONLY APPLICABLE WITH DUAL PAD).
- Highest Compatibility with Various Accessories.

Areas of Use

General Surgery, Dermatology, Endoscopy, Vascular Surgery, Gynecology, Heart/Thoracic Surgery, ORL/ENT, Pediatric Surgery ,Minimally Invasive Surgery (MIS) , Neurosurgery, Plastic Surgery, Orthopedics ,Urology, Surgery, Trans Urethral Resection (T.U.R).

1.6 Electrosrgical Unit Accssories



Bipolar Forceps



Bipolar Cable



Monopolar Pencil



Reusable Monoplar Pencil



Monopolar Tip



Monopolar Tip Cleaner



Ground Plate



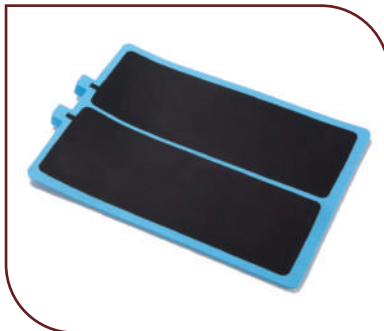
**Ground Plate cale for
Disposable Gound Plate**



Disposable Ground Plate



**Ground Plate cale for reusable
Gound Plate**



Silicone Ground Plate



Foot Switch

For more details please request ESU Accessories Catalogue

1.7 Surgical Suction 90L/min With 2 jars 8 Liter Capacity



Operating
Equipment

ELMASLAR Turkey - HOSPITAL

The "LIFETIME" Surgical Aspirator has been designed to use in operation theatre during surgical operation to take off the accumulated liquids in the operated rising of the patient and for application in Gynecology and Dermatology (Liposuction).

Technical Specifications:

- **Motor Type:** Oilless.
- **Voltage:** 220VAC \pm %10.
- **Max Vacuum:** 740 mmHg \pm %5.
- **Max Free Air Flow Rate:** 45 / 60 / 90 LPM.

1.8 Operating theatre furnitures



Hydraulic MAYO TABLE

UZUMCU Turkey - 24001

Functions and Features:

- Designed by considering areas of use and user's requests, made of 304 quality stainless steel.
- Design compatible with international hygiene norms.
- with rounded concave corners, easy to clean, and antibacterial press print.
- Rotatable upper tray independent of foot section.
- Design with three castors, two of them with break, and one of hydraulic foot switch.
- **Dimensions:** 735x540x920-1310 mm.



Anesthesia Trolley

UZUMCU Turkey - 24140

Functions and Features:

- Designed for operating and intervention rooms by considering user's requests, made of 304 quality stainless steel.
- Design compatible with international hygiene norms, with rounded concave corners, easy to clean, and antibacterial press print.
- One detachable wire basket.
- Four castors, two of them with brake.
- **Dimensions: (WxLxH):** 450x600x1465 mm.



INSTRUMENT TABLE

UZUMCU Turkey - 24033

Functions and Features:

- Designed for operating and intervention rooms by considering user's expectations, made of 304 quality stainless steel.
- Demountable.
- 4 castors, two of them with brake.
- **Dimensions: (WxLxH):** 650x950x900 mm.

1.8 Operating theatre furnitures



INSTRUMENT TABLE WITH DRAWER

UZUMCU Turkey - 24122

Functions and Features:

- Made of stainless steel to be used in operating theater.
- Two shelves and one drawer.
- Four castors, two of them with brake.
- **Dimensions (WxLxH):** 620x720x800 mm.



DOUBLE STAINLESS STEEL SCRUB SINKS

UZUMCU Turkey - 10700

Functions and Features:

- Designed to be used for hand and nail cleaning before entering sterile zone.
- Made of stainless steel.
- Photocell and knee controlled water flow.
- Knee controlled soap flow.
- Thermostatic mixing valve for cold & hot water.
- **Dimensions (WxLxH):** 675x1600x970/1250 mm.



SINGLE STAINLESS STEEL SCRUB SINKS

UZUMCU Turkey - 10600

Functions and Features:

- Designed to be used for hand and nail cleaning before entering sterile zone.
- Made of stainless steel.
- Photocell and knee controlled water flow.
- Knee controlled soap flow.
- Thermostatic mixing valve for cold & hot water.
- **Dimensions (WxLxH):** 675x800x970/1250 mm.

ENDOSCOPE & LAPAROSCOPE



- ▶ **2.1. Flexible Endoscope Tower.**
- ▶ **2.2. Surgical Endoscope Tower.**
- ▶ **2.3. Hand Hold Video Bronchoscope.**
- ▶ **2.4. Endoscope Integrated System.**
- ▶ **2.5. Endoscope Lens.**

2.1 Flexible Endoscope Tower

24" Full HD ENDOSCOPY SURGICAL MONITOR

DIASURGE The Netherlands - DS-M24

Functions and Features:

- TC (True Color) reduction technology.
- High Resolution.
- anti-glare, anti-fingerprint protective glass.
- Full featured interface, support multiple input and output devices, adapt to various needs.



Video Processor VME-2100

DIASURGE - VME-2300

Summary of the functions of the instrument Medical categorization

Equipment Class: Class I.

Equipment Type: BF.

Protection against fluid spilled level: Common Level.

White balance: The instrument can conduct white balance.

Adjusting the examination light: The examination light intensity can be adjusted with peak mode or average mode.

Color adjustment: The instrument can conduct color adjustment, which can adjust color tone level.

Freeze: The freeze function creates a stationary view of the moving image.

Enhancement: The instrument can provide image with sharpness enhancement.

Sharpness enhancement is an image processing technique that electronically sharpens the edges of an image.

Hemoglobin HBE Video output:

The instrument can provide variety types of video output include: Y/C, SYNC, RGB and DVI.



2.1 Flexible Endoscope Tower



Video Gastroscope

DIASURGE - VME-98

Functions and Features:

- Equipped with high Pixel CCD and digital processing system. Maximize the reduction of endoscopic images color and output high resolution images by DVI digital signal.
- An oversized instrument channel width of \varnothing 3.2mm for gastroscop & \varnothing 4.2mm for colonoscope make a wide range of treatments possible.

Direction of view	Forward viewing
Field of view	140°
Depth of field	3—100mm
Total length	1350mm
Working length	1050mm
Distal end outer diameter	VME-98: \varnothing 9.6mm
Diameter of insertion tube	VME-98: \varnothing 9.6mm
Diameter of instrument channel	\varnothing 2.8mm
Angulation range of bending section	U210° D90° L100° R100°

2.1 Flexible Endoscope Tower



Video Colonoscope

DIASURGE - VME-1650

Endoscope & Laparoscope

Model	VME-1650	
Optical system	Field of view	140°
	Direction of view	Forward viewing
	Depth of field	3-100 mm
Insertion tube	Distal end outer diameter	VME-1650: Ø12.8mm
	Distal end enlarged	
	Diameter of insertion tube	
	Working length	
		1. Air/water nozzle
	2. Light guide lens	
	3. Objective lens	
	4. Instrument channel outlet	
	5. Auxiliary water channel (optional function)	
	Ø12.8mm	
	VME-1650 : 1650mm	
Instrument channel	Channel inner diameter	ø3.7mm
	Direction from which endo-therapy accessories enter and exit the endoscopic image	
Air flow rate	25 cm ³ /s	
Bending section	Angulation range	UP 180°, DOWN 180°
		RIGHT 160°, LEFT 160°
CBI	Available	

2.1 Flexible Endoscope Tower



Endoscope & Laparoscope

DIASURGE The Netherlands - DS-LT3N

Deluxe Endoscope Trolley

- Strong metal plate structure, make trolley firmer and more durable.
- 5 socket-outlets with interferences filtering.
- Anti-slip shelf surface for optimum grip of the expensive devices on the cart.
- Shelf surface with all-round safety edge, for additional slide-off protection of devices.
- Solid wheel bumpers prevent damage to doors, walls and furniture.
- Cleaning-friendly – all materials are disinfectant and solvent.

2.2 Surgical Endoscope Tower



24" Full HD ENDOSCOPY SURGICAL MONITOR

DIASURGE The Netherlands - DS-M24

Functions and Features:

- TC (True Color) reduction technology.
- High Resolution.
- anti-glare, anti-fingerprint protective glass.
- Full featured interface, support multiple input and output devices, adapt to various needs.

Endoscope & Laparoscope

CMOS ENDOSCOPY CAMERA SYSTEM

DIASURGE The Netherlands - DS-C180

Functions and Features:

- Sony CMOS Image processor.
- Universal C-Mount lens connector.
- 2 freely programmable camera head buttons.
- Autoclavable, disinfectable and gas sterilizable.



LED COLD LIGHT SOURCE

DIASURGE The Netherlands - DS-L100

Functions and Features:

- Bulb Life 50000 Hours.
- Illumination (Lx) 1100000 Lx.
- Color Temp 6500K.
- Continuous Working 24 Hours.
- High intensity light output 120W/100W/80W.
- Voltage 100-240V, 50/60Hz.



2.2 Surgical Endoscope Tower

CO2 INSUFFLATOR

DIASURGE The Netherlands - DS-CL40

Functions and Features:

- offers clear benefits to patients undergoing advanced endoscopic procedures, lengthy endoscopy procedures.
- Display indicates the total CO2 volume delivered during the procedure.
- Flow range 10 – 40L.



SUCTION / IRRIGATION PUMP

DIASURGE The Netherlands - DS-15110

Functions and Features:

- Minimally invasive technique of transporting fluid to and from a surgical site.
- Very simple to install and easy to use.
- Acoustic and visual warning in case of incorrect tubing placement.
- Esthetic and modern design.
- Comprehensive tube portfolio.
- Single hand tube fitting.
- Cutting-edge transponder technology.



IRRIGATION PUMP

DIASURGE The Netherlands - DS-15 111

Functions and Features:

- Microprocessor control ensures accurate and precise, flow rate delivery.
- Ergonomically designed touch buttons for simple use.
- Bright LED display for easy verification of selected settings.
- Designed to prevent over pressurization of endoscopes.
- It is not necessary for application parameters to be continually re-entered as a result of the pre-defined and freely programmable indication profiles.



2.2 Surgical Endoscope Tower



Endoscope & Laparoscope

DIASURGE The Netherlands - DS-LT3N

Deluxe Endoscope Trolley

- Strong metal plate structure, make trolley firmer and more durable.
- 5 socket-outlets with interferences filtering.
- Anti-slip shelf surface for optimum grip of the expensive devices on the cart.
- Shelf surface with all-round safety edge, for additional slide-off protection of devices.
- Solid wheel bumpers prevent damage to doors, walls and furniture.
- Cleaning-friendly – all materials are disinfectant and solvent.

2.3 Hand Hold Video Bronchoscope

Handheld Video bronchoscope

MBC-6

Functions and Features:

The MBC features a multi-functional design, providing a wide range of capabilities to meet various medical needs. It is equipped with a spacious working channel that allows for efficient suction, BAL (Bronchoalveolar lavage), intubation, and more. This versatility enables medical professionals to perform a diverse range of procedures and interventions using a single instrument.



Model	MBC-6
Working Length	600mm
Depth of Field	3-50mm
Range of bending	U160°, D130°
Diameter of Insertion Tube	Ø5.0mm
Diameter of Instrument channel	Ø2.0mm
Field of view	100°

2.3 Integrated Endoscope System

DIASURGE The Netherlands - DS-AS 180HD

Functions and Features:

- Portable Endoscopy Camera brings a new solution for endoscopy surgery, especially in clinic inspection.
- Sony CMOS sensor chip is equipped as the image capture.
- The sensor and lens system are designed to access a transparent imaging with the assistance of built-in LED light source.
- Stable CPU based micro-controller is employed as the control core for the image processing and transmission module, display module, recording module and others.
- The image is displayed on a 15.6 inch screen with 1920x1080P HD resolution.



2.4 Endoscope Lens

Endoscope Lens 4K Rigid Endoscope Lens

DIASURGE The Netherlands

Functions and Features:

Comes with different sizes to cover all applications

Laparoscope

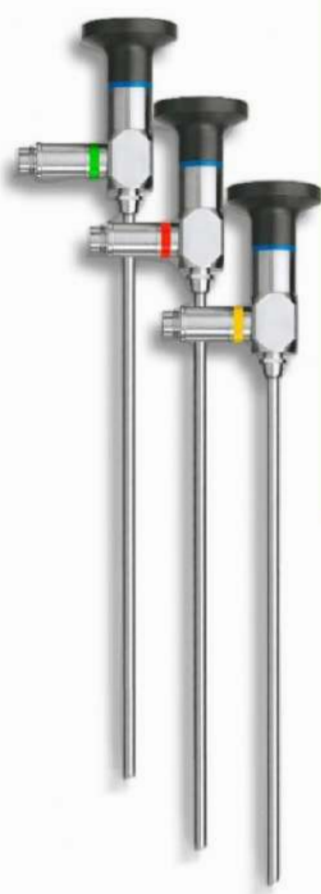
- Laparoscope Ø 5 mm, l=300 mm, 0°, autoclavable.
- Laparoscope Ø 5 mm, l=300 mm, 30°, autoclavable.
- Laparoscope Ø 10 mm, l=339 mm, 0°, autoclavable.
- Laparoscope Ø 10 mm, l=341 mm, 30°, autoclavable.

Hysteroscope

- Hysteroscope Ø 2.7 mm, l=302 mm, 0°, autoclavable.
- Hysteroscope Ø 2.7 mm, l=302 mm, 30°, autoclavable.
- Hysteroscope Ø 2.7 mm, l=302 mm, 70°, autoclavable.
- Hysteroscope Ø 2.9 mm, l=302 mm, 0°, autoclavable.
- Hysteroscope Ø 2.9 mm, l=302 mm, 30°, autoclavable.
- Hysteroscope Ø 2.9 mm, l=302 mm, 70°, autoclavable.
- Hysteroscope Ø 4 mm, l=302 mm, 0°, autoclavable.
- Hysteroscope Ø 4 mm, l=302 mm, 12°, autoclavable.
- Hysteroscope Ø 4 mm, l=302 mm, 30°, autoclavable.
- Hysteroscope Ø 4 mm, l=302 mm, 70°, autoclavable.

Cystoscope

- Cystoscope Ø 2.7 mm, l=302 mm, 0°, autoclavable.
- Cystoscope Ø 2.7 mm, l=302 mm, 30°, autoclavable.
- Cystoscope Ø 2.7 mm, l=302 mm, 70°, autoclavable.
- Cystoscope Ø 2.9 mm, l=302 mm, 0°, autoclavable.
- Cystoscope Ø 2.9 mm, l=302 mm, 30°, autoclavable.
- Cystoscope Ø 2.9 mm, l=302 mm, 70°, autoclavable.
- Cystoscope Ø 4 mm, l=302 mm, 0°, autoclavable.
- Cystoscope Ø 4 mm, l=302 mm, 12°, autoclavable.
- Cystoscope Ø 4 mm, l=302 mm, 30°, autoclavable.
- Cystoscope Ø 4 mm, l=302 mm, 70°, autoclavable.



Please Ask for Other sizes.

STEAM STERILIZER



- ▶ **3.1. 160 Liter steam Sterilizer.**
- ▶ **3.2. 170 Liter Steam Sterilizer.**
- ▶ **3.3. 100 Liter Steam Sterilizer.**

3.1 160 Liter Steam Sterilizer



Steam Sterilizer

Eryigit - STR-4410 -Turkey

Functions and Features:

- The control system is easy to use and can be programmed via the keypad on the touch screen.
- The keypad on the touch screen also allows the user to select any program, start and stop the sterilization cycle.
- Our steam sterilizers are a project supported by TÜBİTAK and provide A quality energy saving.
- Our steam sterilizers are equipped with an electronic pressure transducer to precisely preserve the required pressure values against changes in ambient pressure.

Control System: PLC (Programmable Logic Controller).

Operation Mode: Fully Automatic / Button Command.

Display Type: Color TFT, LCD Touch Screen.

Printer: 40 Character/line.

Chamber Volume: 160 Lt.

Chamber Depth: 1000mm.

Chamber Width: 400 mm.

Chamber Height: 400 mm.

Basket Capacity*: 2 pcs.

Door Type: Hinged door with automatic locking.

3.2 170 Liter Steam Sterilizer



NUVE Turkey - NC-150

Functions and Features:

- NC 150/150D steam sterilizer is ideal for the medium size sterilization centres for the sterilization of packed or unpacked surgical and dental instruments, operation linen, glass, plastic, rubber and silicon materials.
- 7 preset programs and 12 custom made programs make the sterilization easier for the users.
- While sterilization quality matching the needs of EN 285 European Standard for Large Steam Sterilizers, the instruments conform to the Medical Devices and Pressure Equipment Directives. Double door version NC 150D is ideal for the sterilization centres which has separated clean and sterile areas.

Specifications

- Single Manual door.
- Sterilization Temperature 121°C, 125°C, 125°C, 134°C, 136°C.
- Chamber Dimensions Ø 496x880.
- External Dimensions 680x1115x1558.
- Net/ Packed Weight, kg. 300/390 Kg.

3.3 100 Liter Horizontal Steam Sterilizer



Steam Sterilizer

NUVE Turkey - NC-150

Functions and Features:

- NC 100 heavy duty steam sterilizer has advanced technology for the sterilization of textiles, wrapped or packed materials and glass.
- Operators are freed up by its automatic operation, its maintenance-free vacuum pump and its instant recall 5 pre-set or 10 user-defined programs. Product safety is guaranteed by the pre-sterilization vacuum control to eliminate bubbles and post-sterilization fractionated vacuum control for sample drying.
- With its 4,3" colourful display, N-Smart™ control system includes pre-set program for ease of use.
- Operated programs can be transferred to memory stick through USB port for traceability.

Specifications

- Chamber Volume 104L.
- Sterilization Temperature 105 – 136.
- External Dimensions 970 x 775 x1260.
- Net/ Packed Weight, kg. 172/1820 Kg.

LIFE SUPPORT EQUIPMENT



- ▶ **4.1. ICU Ventilator.**
- ▶ **4.2. Handheld Ventilator.**
- ▶ **4.3. Portable Ventilator.**
- ▶ **4.4. Abmu Bag.**
- ▶ **4.5. Humidifier.**

4.1 ICU Ventilator

Advanced ICU Ventilator for Neonate, Pediatric and Adult

UTAS Slovakia - UVENT

UVENT high class ventilator for respiratory support of all ages of patients (neonate, Child and Adults) start from (0.3Kg to 250Kg). with User-friendly touch screen interface in addition to high-end ventilation features combined in UVENT ventilator gives to clinicians new possibilities during respiratory support in wide range of clinical cases come with integrated patient monitor have (SPO2, and optional Etco2).

- LED TFT touch display and optional additional configurable desktop.
- Shuttle type encoder and touch screen - convenience in choosing input method.
- Ergonomic handle to carry device.
- Trolley on wheels for transporting the ventilator inside the clinic.
- Li-ion battery backup.
- Unlimited lifetime oxygen sensor, calibration free Automatic changeover between available sources of oxygen and electricity.
- Operation with any available oxygen source (low pressure O2 from 0,2 bar and high pressure 2 - 6 bar).
- Wide range of communication interfaces for integration into the hospital information system.
- Workspace ergonomics - basket, patient circuit hanger, medical mounting rail, electric splitter.

Ventilation modes:

- VC - Volume controlled ventilation - Assist/Control.
- PC - Pressure controlled ventilation - Assist/Control.
- PCVT - Pressure controlled volume target ventilation - Assist/Control.
- TCPL - Time cycled pressure limited ventilation.
- VC-SIMV - Volume controlled synchronized intermittent mandatory ventilation.
- PC-SIMV - Pressure controlled.

synchronized intermittent mandatory ventilation

- PCVT-SIMV - Pressure controlled volume target synchronized intermittent mandatory ventilation.
- BiPPV/APRV - Dual level ventilation including airway pressure release ventilation.
- CPAP - Continuous positive airway pressure.
- HFOT - High flow oxygen therapy.
- nCPAP/nIPPV - nasal CPAP and intermittent positive pressure ventilation.
- PS - Pressure support ventilation.
- VS - Volume assured pressure support ventilation.
- APNEA - Apnea ventilation (volume or pressure mode).
- AdVent - Intelligent adaptive ventilation mode, closed loop based on minute ventilation settings.



4.2 Handheld Ventilator



Hand Held portable Ventilator for Ambulance and Airplane for Adult, Pediatric and Newborn

Hersill -Spain - VITAE 40

- A revolutionary design that allows to integrate the most advanced features of an intensive care ventilator in an equipment so compact and lightweight (1,4 kg) that can be operated on the palm of the hand.
- The new arrangement concept focused to the minimal requirement for space in the vehicle and to the quick exchange among a whole family of accessories (30g tested).
- Ventilation Modes: VCV, VC-A/C, VC-SIMV, VC-SIMV-PS, APVG, PCV, PC-A/C, PC-SIMV, BIPAP, PSV, CPAP, NIV, CPR modes.

4.3 Portable Ventilator



Portable Ventilator for Neonate, Child and Adult

OXIVENT Turkey OXILIFE

It is an artificial ventilation device with digital pressure gauge, volumetric, time cycle, wide programmed ventilation modes and pressure limiting.

Portable Patient Transfer Ventilator has great importance in respiratory treatment, being small and lightweight.

- Oxivent Life can be use for treatment of adults and children and neonate.
- Ventilation Modes: AUT+AST, PSV + Apnea Backup, CPAP, PEEP, NIV presented to the user.
- The alarms are available which are specified in TS EN 794-3+A2 standarts.

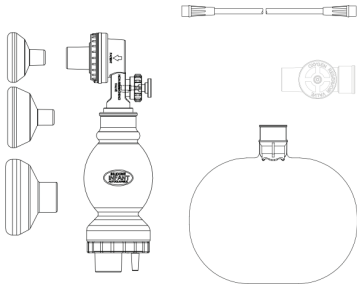
4.4 Ambu Bag

Ambu Bag for Neonate

Fortune Taiwan - 1610-0001

Functions and Features:

- Silicone mask #0/ #1/ #2.
- Patient valve w/ pressure relief valve.
- Silicone bag 240 ml.
- Reservoir valve.
- Oxygen reservoir 600 ml.
- Oxygen Tubing 7 feet.

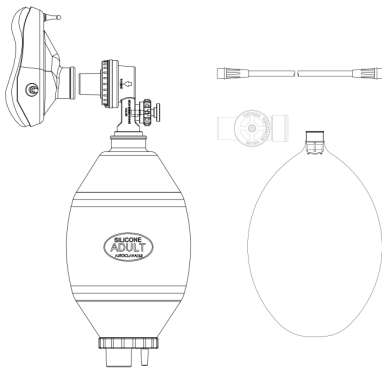


Ambu Bag for Adult

Fortune Taiwan - 1610-0003

Functions and Features:

- Silicone mask #5.
- Patient valve w/ pressure relief valve.
- Silicone bag 1600 ml.
- Reservoir valve.
- Oxygen reservoir 2600 ml.
- Oxygen Tubing 7 feet.



4.5 Humidifier

Respiratory Humidifier (Support Heated Wire) Fisher and Paykel Standard

Plegon PN-2000FB - China

Medical Respiratory Humidifier PN-2000FB offers an integrated solution to provide humidified and warmed gas to those patients in need of mechanical ventilation or other respiratory supports. With built in servo control feedback system and alarm system, it incorporates to monitor constantly and provide visible and audible alarm according to the proximal and distal temperature respectively.



RADIOLOGY



- ▶ **5.1. Echo Color Doppler and 4D Ultrasound.**
- ▶ **5.2. Echo Color Doppler for Cardiology.**
- ▶ **5.3. General Examination Color Echo Doppler.**
- ▶ **5.4. Handheld Ultrasound.**
- ▶ **5.5. Portable B/W ultrasound.**
- ▶ **5.6. Ultrasound Trolley.**
- ▶ **5.7. Color Ultrasound Printer.**
- ▶ **5.8. B/W Ultrasound Printer.**

5.1 ECHO Color Doppler and 4D Ultrasound



CHISON CHINA - CBIT6

Radiology

Functions and Features:

- 21.5inch LED high definition monitor, 90% image area with full screen mode.
- Specialized Clinical Solutions.
- Expanding range of anatomy-based solutions for Cardiology, Women's Healthcare, Radiology, POC and so on.
- It is capable of multi-modality imaging along with multiple automatic functions like SonoColor, SonoCrystal, SonoAI-OB, Intelligent doppler, Sonocontrast, SonoNeedle, Color panoramic, Raw data.
- Wide Range of Probes.
- High frequency linear probe, 18mhz, Volume probe, Adult phased array probe, Pediatric phased array probe, 180°transvaginal probe, 50mm/60mm longer linear probe, Bi-plane probe, Single Crystal probe, 4DTV probe.

Ergonomic Design

- 21.5 inch Wide HD LED.
- 10.1 inch Customized Touch screen.
- Four probe connectors.
- Battery.

Applications

Cardiology, 4D, OB/GYN, Urology, Radiology, Vascular Point-of-Care.

5.2 ECHO Color Doppler for Cardiology



CHISON CHINA - CBIT8

Functions and Features:

- 21.5inch LED high definition monitor, 90% image area with full screen mode.
- Specialized Clinical Solutions.
- Expanding range of anatomy-based solutions for Cardiology, Women's Healthcare, Radiology, POC and so on.
- It is capable of multi-modality imaging along with multiple automatic functions like SonoColor, SonoCrystal, SonoAI-OB, Intelligent doppler, Sonocontrast, SonoNeedle, Color panoramic, Raw data.
- Wide Range of Probes.
- High frequency linear probe, 18mhz, Volume probe, Adult phased array probe, Pediatric phased array probe, 180°transvaginal probe, 50mm/60mm longer linear probe, Bi-plane probe, Single Crystal probe, 4D TV probe.

Ergonomic Design

- 21.5 inch Wide HD LED.
- 10.1 inch Customized Touch screen.
- Four probe connectors.
- Battery.

Applications

Cardiology, 4D, OB/GYN, Urology, Radiology, Vascular Point-of-Care.

5.3 Echo Color Doppler f



CHISON CHINA - QBIT5

The Chison QBit 5 Color Doppler System The QBit allows one-touch user-adjusted contrast resolution based upon differences in tissue density. Enhance, Normal, and Suppress Settings increase or decrease contrast resolution, based on the tissue type and user preference.

Functions and Features:

- 19" high resolution LED Monitor.
- 4 probe connectors, 6 USB ports.
- Break Through new technologies : FHI, X-Contrast,Q-flow, Q-beam, Q-image.
- CW, TDI, Color M mode, ECG.
- 2D steer, B/BC, Super needle.
- Intelligent workflow, simplified keyboard.
- Full range of probes.

Applications

Abdominal, OB & GYN 4D, Basic Cardiac, Vascular, Small parts, Pediatric, Neonatal, Musculoskeletal.

5.4 Handheld Phase Array Probe



CHISON CHINA - SONOEYE

Functions and Features:

Frequency: 3.0Mhz.

Displaying Mode: Support B, C ,PW ,M, CPA Mode.

Functions: Auto EF, Auto IMT, PW AutoTrace, Professional lung software, Needle guide software, QR Scan, HIPPA.

Waterproof Standard: IPX7.

Comprehensive Presets: CardiacDifficult, ABD, Cardiac, Lung, TCD, Phantom.

Languages: Support 7 languages.

Button: Programmable buttons.

Multiple accessories(optional): arm bag, belt bag,messenger bag, carrying case, stand, sterile probe cover and gel, silicone protective sleeve, trolley.

Transmission: Support DICOM&Network storage.

Application: Cardiac, Lung, ABD.

5.5 Portable B/W Ultrasound with PW and Color modes



Radiology

CHISON CHINA - ECO2

CHISON ECO portable ultrasound machine is aimed to diagnose easily and accurately, with its reasonable price and high quality from CHISON medical ultrasound manufacturer, it has already stood out above the crowd.

Functions and Features:

- 12" LED.
- 2 probe connectors.
- **Built-in battery:** 2 hours - Optional.
- **Memory up to:** 320G 7 types of probes.
- DICOM 3.0(optional) , USB.
- Display Modes B, B/B, 4B, M, B/M, SRA, THI.

Applications

Abdominal, GYN&&OB, Urology, Vascular, Small Parts (Breast, testicles, thyroid), Musculoskeletal Conventional and superficial, Pediatrics, Basic Cardiac.

5.6 Ultrasound Trolley

Mobile Ultrasound Trolley

CHISON CHINA - TR-9000



Functions and Features:

- Can be used with any portable ultrasound and monitor.
- Height: 87cm.
- Provide a place for Ultrasound Printer.
- Provide a probes holder.
- Provide 2 Side Pockets.
- High quality combined with ease of movement.
- Four reinforced wheels with breaks.
- Easy to assemble, it only takes 10 minutes.

5.7 Color Ultrasound Printer

Sony Japan - UP-25MD



Functions and Features:

The UP-25MD is a high quality printer designed for medical applications.

It features a variety of analogue video inputs for standard definition as well as high definition signals and is compatible with a wide range of medical imaging devices.

5.8 B/W Ultrasound printer

Sony Japan - UP-897 Available Qty



Functions and Features:

The UP-D898MD is a compact A6 medical grade black and white digital printer. It's designed to be integrated into a wide range of compatible medical imaging environments such as digital ultrasound systems, mobile C-arms or cardiac catheterisation laboratory.

The high quality thermal print engine can produce hard copy prints of still images captured by these systems for use in patient records and referrals.

BABY CARE



- ▶ **6.1. Baby Incubator.**
- ▶ **6.2. Baby Warmer.**
- ▶ **6.3. Baby Cot.**
- ▶ **6.4. Bilirubin treatment equipment.**
- ▶ **6.5. Jaundice Detector.**
- ▶ **6.6. Bubble CPAP.**
- ▶ **6.7. Bubble Cpap Accessories.**
- ▶ **6.8. Oxygen Tent.**
- ▶ **6.9. Head Fixation Unit.**

6.1 Baby Incubator

INFANT INCUBATOR

Ningbo David CHINA - YP-100

Functions and Features:

- Air mode control, set temperature and air temperature are displayed separately.
- Natural air flow humidity.
- Inclination of bassinet is adjustable.
- Failure alarm indication.
- Low noise DC motor.
- RS-232 connector.



INFANT INCUBATOR

Ningbo David CHINA - YP-90

Functions and Features:

- Air mode and Baby mode controlled by micro-computer.
- Passive humidification.
- Multiple failure alarm indications.
- Oxygen input interface.
- Set temperature, air temperature, baby temperature are displayed separately.
- Inclination of bassinet is adjustable.
- Low noise DC motor.
- RS-232 connector.



6.2 Baby Warmer

INFANT RADIANT WARMER

Ningbo David CHINA HKN-9010

Functions and Features:

- Pre-warm mode, manual mode and baby mode controlled by micro-computer.
- Set temperature and baby temperature can be displayed separately.
- Horizontal angle of warmer module can be adjusted.
- Inclination of the bassinet can be adjusted, and the organic glass panels can be turned outward or disassembled.
- Multiple failure alarm indications.
- X-ray cassette is under the bassinet.
- APGAR timer.
- RS232 connector.



6.3 Baby Coat

Baby Coat

Ningbo David CHINA - YC-B

Functions and Features:

- With I.V.Pole.
- High transparent acrylic glass material.
- Drawar.
- 4 Wheels.
- Brake.
- mattress.



6.4 Bilirubin Treatment Equipment

LED Intensive Bilirubin Phototherapy Equipment

Ningbo DavidCHINA - XHZ-200

360° intensive blue light radiation

- 360° omni-directional blue light irradiation, large effective area, high intensity, good uniformity, efficient bilirubin loss, shortening the treatment time.
- The irradiation wavelength is 400~550nm, which can achieve the best bilirubin absorption rate and effectively treat neonatal jaundice.
- Stronger total bilirubin irradiance, in line with the American Association of Pediatrics (AAP) guidelines for intensive light therapy equipment.

Comfortable environment

- The air temperature adjustment system provides a suitable treatment environment for children.
- Manually control the upper and nether LED light sources separately to adjust the ambient temperature.
- The inclination of the bassinet is adjustable, providing a comfortable resting environment (for web mattress only).



6.4 Bilirubin Treatment Equipment



NEONATE BILIRUBIN PHOTOTHERAPY - LED

Ningbo David CHINA - XHZ-90L

Functions and Features:

- Mobile and fixed models.
- Blue fluorescent tube.
- Timer to count phototherapy time.
- Angle of lamp module can be adjusted.
- Height of lamp module can be adjusted.
- Wheels can be locked.

6.5 Jaundice Detector

Transcutaneous Jaundice Detector

Ningbo David CHINA - BM-100

Effective and user-friendly

- 3.0 inch color touch screen, large character indicates and read measurement value clearly and rapidly.
- On-screen display of multiple measurement data, and simultaneous storage of multiple patient information, achieving data management to patients.
- BM-100C: configured with bar code reader, by scanning QR and bar code, it can check or enter nurse and patient ID quickly and accurately; configured with micro USB data communication connector, can be connected with PC to transmit data, record and management are simple.

Long endurance

- 1) Equipped with charging base, enduring built-in chargeable battery, measuring 2000 times after battery is full.
- 2) Xenon flash lamp with long lifespan (measurement $\geq 150,000$ times).
- 3) Charging base with the function of integrated light checker, consumable-free, saving cost for check.

Accurate measurement

- 1) Effective check to identify patient with high- risk jaundice precisely, conform to the newest clinical guidance; Constant measurement to multiple patients without repeating calibration.
- 2) Average measurement: this function permits 1~5 times setting of average measurement to ensure the accuracy on results.
- 3) Converting between two kinds of measurement unit mg/dL, $\mu\text{mol/L}$.
- 4) Applicable to premature babies above 28 weeks gestation.



6.6 Bubble CPAP

Neonatal intensive care CPAP machine with Air Turbine

Pigeon CHINA - AD-IA

AD-IA NCPAP It is used to supply ventilation treatment for premature, neonates, infants and children below 14 years old. The different concentrations of medical oxygen will be configured by adjusting the proportion of oxygen and air. An inside alarm system of differential pressure is equipped. When alarming, the safety valve of this type of NCPAP machine will start automatically, and produce the mixed gas continuously to ensure the safety of patient. Adjust oxygen concentration from 21% to 100% optionally. With all-in-one design, AD-IA is easy to assemble and save space.

Features of AD-IA NCPAP

- Wide selection of oxygen concentration, concentration adjustment from 21% to 100%, all-in-one machine design, easy assembly, space saving.
- Built-in miniature air compressor for easy emergency transport.

Specification of AD-IA

- NCPAP FIO₂ - 21-100% (±3%).
- CPAP - 3-10cm H₂O.
- Flow - 1-10LPM.
- Noise - ≤55dB(A).
- Power Source - AC 220V/110V, 50-60Hz.
- Gas source **Oxygen**@ 0.3 - 0.4MP.a.
- Alarm - Gas supply pressure difference > 0.1MPa.

Bubble CPAP Device for Neonate

Piegon CHINA - AD-I

Continuous Positive Airway Pressure (CPAP) nurtures and supports infant breathing by providing respiratory support throughout the respiratory cycle.

Application

CPAP System maintains the infant's functional residual capacity by helping to prevent airway closure. The NLF-200DCPAP System has the advantages of compact device, small footprint, saving energy and integrated high-performance in operation.

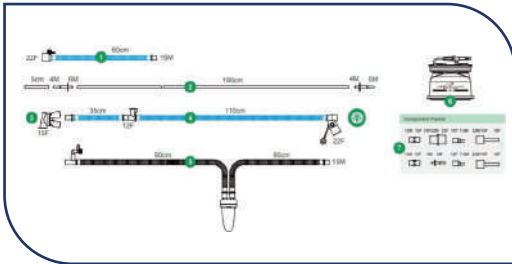
This makes it an ideal companion for your smallest patients in the Neonatal Intensive Care Units (NICU), emergency ward, delivery room and other departments.

Functions and Features:

- Integrated breathing circuit design, ensure easy operating and keep hygiene.
- Built-in air and oxygen blender, ensure stable oxygen concentration.



6.7 Bubble CPAP Accessories



Single Heated Wire Breathing Circuits



iNFLOW Nasal CPAP kit



Bubble CPAP KIT



CPAP Bonnet



Nasal CPAP Mask



Nasal CPAP Prong



Air Bubbler Generator

6.8 Oxygen Tent

Ningbo David - CHINA

Functions and Features:

Brief introduction:

NON-CONTACT HOOD is a medical device for neonate and pediatric, which can rescue the serious baby, choked neonate by oxygen infusion,. This product adopts high transparent organic glass, has wide horizon, clear observation, and you can observe the facial changes of the baby directly. And you adjust the proportion of air and oxygen. When put the cover, you can also feed the baby and clean the baby's face when do oxygen infusion.



6.9 Head Fixation Unit

INFANT HEAD FIXING UNIT and breathing circuit holder during ventilation

Ningbo David CHINA - TJ-I

Functions and Features:

Fixed frame for head of baby is suitable for infant head fix during treatment such as CPAP (continuous positive airway pressure), trachea intubation, scalp venipuncture and head x-ray photograph etc.



GYNECOLOGY



▶ **7.1. Cardiotocography (CTG).**

▶ **7.2. Delivery Cups.**

7.1 CTG



TWIN Fetal Monitor (CTG)

BIONET Korea - FC-1400

Functions and Features:

- 7" wide color LCD viewer (800x480 resolution).
- Touch screen operation along with 10 smart keys for 16 functions.
- 72-hour trace data reviewer.
- Twin fetus heart rate and uterine activity.
- More compact probes and robust connectors.
- Automatic fetal movement detection.
- Automatic TOCO zeroing.
- Clinical mark and note entering.
- CTG interpretation.
- Easy-to-read B4 size chart paper with folding line.

7.2 Silicone Delivery Cup



Silicone delivery Cup

Fortune Taiwan

Functions and Features:

Better choice than forceps delivery to shorten and assist second stage of labor. Special soft rim cup designed to minimize the risk of trauma to fetal head.

MONITORING EQUIPMENT



- ▶ **8.1. Analgesia Nociception Index.**
- ▶ **8.2. Patient Monitors.**
- ▶ **8.3. Patient Montor Accessories.**
- ▶ **8.4. ECG Holter.**
- ▶ **8.5. Ambulatory Blood Pressure Monitor.**
- ▶ **8.6. Electrocardiograph (ECG).**
- ▶ **8.7. ECG accessories.**

8.1 Analgesia Nociception Index



MDolaris-France - ANI V2

Functions and Features:

ANI technology is a novel, innovative technology providing a measure of the parasympathetic tone to continuously evaluate patient comfort level. ANI allows physicians to titrate analgesics to control nociception.

Benefits of ANI technology:

Predict hemodynamic reactivity Titrate opioids Predict post-extubation pain Diagnose the etiology of a hemodynamic event Reduce length of stay.

8.2 Patient Monitor

20" Cardiac Patient Monitor

UTAS Slovakia UM - 300- 20"



Functions and Features:

- New multifunctional monitor with 20 " touch screen display.
- 12-lead ECG, HR, pulse oximetry, NIBP, respiration rate, temperature, invasive blood pressure, cardiac output, CO2, N2O, O2 and 5 anesthetic agents.
- Arrhythmia and ST segment analysis.
- Heart rate variability analysis.
- Up to 72 hours trend for all measured values.
- Up to 4 hours of internal battery operation.
- Drug dose and infusion rate calculator.

10" Portable Cardiac Patient Monitor

UTAS Slovakia - UM 300- 10"



Functions and Features:

- New multifunctional monitor with 10 " touch screen display.
- 12-lead ECG, HR, pulse oximetry, NIBP, respiration rate, temperature, invasive blood pressure, cardiac output, CO2, N2O, O2 and 5 anesthetic agents.
- Arrhythmia and ST segment analysis.
- Heart rate variability analysis.
- Up to 72 hours trend for all measured values.
- Up to 4 hours of internal battery operation.
- Drug dose and infusion rate calculator.

8.2 Patient Monitor

15" Patient Monitor

ETS Germany - M15



Functions and Features:

- **Displayer:** 15" color TFT LCD screen with maximum 8-waveform display.
- **Standard configuration:** ECG, HR, PR, SpO₂, ST analysis, RESP*2 (RA-LL impedance and nasalcavity), NIBP (with venous punch), TEMP*2 (surface and rectal type), Drug dose calculation.
- **Battery:** Rechargeable high-energy built-in battery.
- **Optional:** Wireless connection, Recorder,ETCO₂ and 2-IBP.

12" Patient Monitor

ETS Germany - M12



Functions and Features:

- **Displayer:** 12.1" color TFT LCD screen with maximum 8-waveform display.
- **Standard configuration:** ECG, HR, PR, SpO₂, ST analysis, RESP*2 (RA-LL impedance and nasal cavity), NIBP (with venous punch), TEMP*2 (surface and rectal type), Drug dose calculation.
- **Battery:** Rechargeable high-energy built-in battery.
- **Optional:** Wireless connection, Recorder,ETCO₂ and 2-IBP.

Vital Sign Monitor

ETS Germany - VS



Functions and Features:

- SPO₂, NIBP, Pulse Rate, Body Temperature.
- High-lightness display.
- Suitable for adults, pediatrics, neonates.
- Application in EMS, OT, Patient-transfer, Ambulance and etc.
- Support Wan and LAN network with central monitoring system.
- Long-distance monitoring and software upgradeable.
- Fast and accurate measurement of blood pressure, realize venipuncture.
- Low-power consumption design, rechargeable high-energy built-in battery. Low-power consumption design, rechargeable high-energy.

8.2 Patient Monitor



Neonate and Adult Portable Pulse Oximeter

ETS Germany - P1

Functions and Features:

- 2 parameters: SPO2 + Pulse Rate.
- Alarm with freely set limit.
- Accurate measurement during low perfusion.
- Built-in rechargeable battery and seat-type charger; Power-Saved Function.
- Built-in memory card for data memory; connection with computer for downloading data.
- Bright, Easy-to-Read LED Numerals.

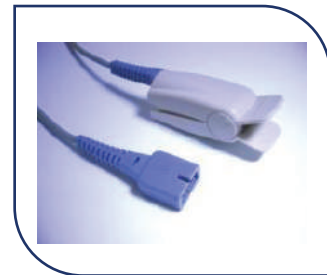
8.3 Patient Monitor Accessories



ECG Cable



SPO2 Cable



SPO2 Sensor



SPO2 Extension Cable



NIBP Cuff



IBP Cable



IBP Transducer



ETCO2 Cable



ETCO2 Filter



ETCO2 Water Trap

For more details please request the Patient Monitor accessories catalogue

8.4 ECG Holter

ECG Holter recorder - up to 48 hours

Cardioline Italy - Clickholter



Functions and Features:

- High resolution recordings with sampling rate of 250 samples/second for 24/48 hours.
- Up to one week and 500 samples/second with 7 day option.
- 5 or 7 wire patient cable.
- Simple and intuitive user interface. The recorder is equipped with a color LCD display and a 4-way joystick that allows for easy navigation of menus.
- Voice recorder patient identification.
- Light and small: only 100g for maximum patient comfort.

8.5 Ambulatory Blood Pressure Monitor

24 Hours Ambulatory Blood Pressure

Par-Berlin Physioport - Germany



Functions and Features:

- PHYSIO-PORT is a small-sized blood pressure monitor designed for non-invasive outpatient blood pressure measurement.
- The new NIBP UP® technology represents the latest generation of technology in non-invasive blood pressure measurement.
- It comes with the new and innovative Inflation Measurement (IMT) technology that takes blood pressure measurements while inflating the cuff.
- The IMT mode leads to much shorter measurement times than the classic deflation mode and also reduces patient stress by applying a lower compression load.

8.6 Electrocardiography (ECG)

3 Channel ECG Machine

Meditech China - G58301



Functions and Features:

- Simultaneous 12 leads ECG acquisition and display.
- Foldable 7 inch 800 x 480 TFT color LCD.
- Alpha-numeric keyboard and one-touch operation.
- Built-in rechargeable lithium battery.
- Built-in 4G SD card, save up to 10,000 ECG reports in XML/PDF/BMP/JPG/ DICOM format.
- Precise ECG auto-interpretation program.
- Extend printing once arrhythmia is detected.
- Support linear barcode reader.

8.6 Electrocardiography (ECG)

6 Channel ECG Machine

Meditech China - G58601

Functions and Features:

- Simultaneous 12 leads ECG acquisition and display.
- Foldable 7 inch 800 x 480 TFT color LCD.
- Alpha-numeric keyboard and one-touch operation.
- Built-in rechargeable lithium battery.
- Built-in 4G SD card, save up to 10,000 ECG reports in XML/PDF/BMP/JPG/ DICOM format.
- Precise ECG auto-interpretation program.
- Extend printing once arrhythmia is detected.
- Support linear barcode reader.

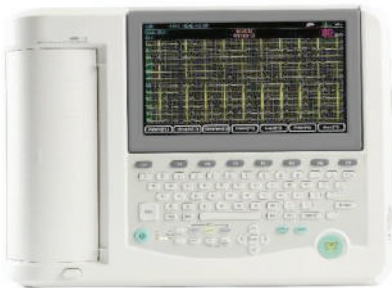


12 Channel ECG Machine

Meditech China - G58121

Functions and Features:

- Simultaneous 12 leads ECG acquisition and display.
- Foldable 7 inch 800 x 480 TFT color LCD.
- Alpha-numeric keyboard and one-touch operation.
- Built-in rechargeable lithium battery.
- Built-in 4G SD card, save up to 10,000 ECG reports in XML/PDF/BMP/JPG/ DICOM format.
- Precise ECG auto-interpretation program.
- Extend printing once arrhythmia is detected.
- Support linear barcode reader.



8.7 Hand Hold Video Bronchoscope



EKG Cables



Suction Electrodes



Limb Electrodes



Adapter from
Banana to Grabar

PUMPS



▶ **9.1. Infusion Pumps.**

▶ **9.2. Syringe Pumps.**

9.1 Infusion Pump



Color Touch Screen Infusion Pump

ETS Germany - ETS-V7

Functions and Features:

- Screen: 4.3 inch LCD color touch screen.
- Infusion Mode: ml/h (include Rate mode, Time mode), Body weight mode, Drip mode, Loading- dose mode, Ramp up/down mode, Sequence mode, Drug Library mode.
- Flow Rate Range: 0.1-2000ml/h (increment 0.01m/h).
- Accuracy: $\pm 5\%$.
- VTBI: 0-9999ml.
- KVO: 0.01-5ml/h adjustable.
- Bolus Rate: 0.1-2000ml/h(automatic & manual bolus available).
- Occlusion Level: 12 levels selectable.
- Drug Library: No less than 2000 drugs.
- History Record: More than 5000 entries.

9.2 Syringe Pump

Color Touch Screen Double Syringe Pump

ENMIND EN-S5D - CHINA

Functions and Features:

- **Screen:** 4.3 inch LCD color touch screen.
- **Syringe Types:** 2/3ml, 5ml, 10ml, 20ml, 30ml, 50/60ml, automatic recognition of syringe brands and sizes after calibration.
- **Compatibility:** Fits all brand syringe.
- **Infusion Mode:** ml/h (include Rate mode, Time mode), Body weight, TIVA, Loading-dose, Ramp up/down, Sequence mode, Drug Library mode, Relay mode, Micro mode.
- **Accuracy:** $\pm 2\%$.
- **Flow Rate Range:** 0.01-2000ml/h (min. increment 0.01m/h).
VTBI: 0-9999.99ml (min. increment 0.01m/h).
- **KVO:** 0-5ml/h adjustable (min. increment 0.01m/h).
- **Bolus Rate:** 0.1-2000ml/h(automatic & manual bolus available).
- **Occlusion Level:** 5 levels adjustable, 50mmHg - 900mmHg.
- **Drug Library:** No less than 2000 drugs.
- **History Record:** More than 5000 entries.

Color Touch Screen Syringe Pump

ETS Germany - ETS-S7

Functions and Features:

- **Screen:** 4.3-inch LCD color touch screen.
- **Syringe Types:** 2/3ml, 5ml, 10ml, 20ml, 30ml, 50/60ml, automatic recognition of syringe brands and sizes after calibration.
- **Compatibility:** Fits all brand syringe.
- **Infusion Mode:** ml/h (include Rate mode, Time mode), Body weight, Drip, Loading - dose, Ramp up/down, Sequence, Drug Library mode.
- **Accuracy:** $\pm 2\%$.
- **Flow Rate Range:** 0.01-2000ml/h (increment 0.01m/h).
- **VTBI:** 0-9999ml.
- **KVO:** 0.1-5ml/h adjustable.
- **Bolus Rate:** 0.1-2000ml/h(automatic & manual bolus available).
- **Occlusion Level:** 4 levels.
- **Drug Library:** No less than 30 drugs.
- **History Record:** More than 5000 entries.

DIAGNOSTIC EQUIPMENT



- ▶ **10.1. Video Laryngoscope.**
- ▶ **10.2. Laryngoscope.**
- ▶ **10.3. Otoscope.**
- ▶ **10.4. Indirect Ophthalmoscope.**
- ▶ **10.5. Vein Viewer.**

10.1 Video Laryngoscope

Video Laryngoscope EN-VL3 for Adult and Children with disposable blades

Enmind China - EN-VL3

Functions and Features:

- High-resolution 3.5" LCD display.
- With practical video and snapshot function.
- Integrated heating prevents fogging.
- Reusable and bacteriostatic handle.
- Compatible with disposable spatulas in various size for Children and Adults.

Application overview

- To perform video laryngoscopy.
- For use in anesthesia and emergency medicine.
- Suitable for children and adults.



10.2 Laryngoscope

Fiber optic Laryngoscope with Miller Blades Size 00,0,1

MD Pakistan

Functions and Features:

- The Standard Range Of Laryngoscope Blades (Blade Size: 00, 0 and 1) And Handle Are Crafted By Superior Quality. Integrated reusable fiber optic blades provide excellent cleaning and dependable illumination.

Enclosed fiber optic core, No crevices to trap bioburden, Easily decontaminated without disassembly, Large glass fiber bundle for maximum light transmission.

- Brushed Satin Finish Reduces Glare And Fits To All Conventional Penlite Handles.

The Atraumatic Tip Provides Patient Safety And Comfort During Intubation.

- Excellent visibility. Strong, focused consistent and Bright light transmission. Surgical grade stainless steel 304.
- Blade Crafted From Highest Quality Stainless Steel. The Led Light Bulb In The Blade Can Easily Be Changed.
- Supplied With 3 Blades Size 00, 0 and 1 with Handle.



10.2 Laryngoscope

Laryngoscope with Miller Blades size 00,0,1

MD Pakistan



Functions and Features:

- The Standard Range Of Laryngoscope Blades (Blade Size: 00, 0 and 1) And Handle Are Crafted By Superior Quality.
- Brushed Satin Finish Reduces Glare And Fits To All Conventional Penlite Handles. The Atraumatic Tip Provides Patient Safety And Comfort During Intubation.
- Excellent visibility. Strong, focused consistent and Bright light transmission.
- Surgical grade stainless steel 304.
- Blade Crafted From Highest Quality Stainless Steel.
- The Light Bulb In The Blade Can Easily Be Changed.
- Supplied With 3 Blades Size 00, 0 and 1 with Handle.

Fiber optic Laryngoscope with Mac Blades Size 1,2,3

MD Pakistan



Functions and Features:

- The Standard Range Of Laryngoscope Blades (Blade Size: 1,2,3 and 4) And Handle Are Crafted By Superior Quality. Integrated reusable fiber optic blades provide excellent cleaning and dependable illumination. Enclosed fiber optic core, No crevices to trap bioburden, Easily decontaminated without disassembly, Large glass fiber bundle for maximum light transmission.
- Brushed Satin Finish Reduces Glare And Fits To All Conventional Penlite Handles. The Atraumatic Tip Provides Patient Safety And Comfort During Intubation.
- Excellent visibility. Strong, focused consistent and Bright light transmission. Surgical grade stainless steel 304.
- Blade Crafted From Highest Quality Stainless Steel. The Led Light Bulb In The Blade Can Easily Be Changed.
- Supplied With 3 Blades Size 00, 0 and 1 with Handle.

Laryngoscope with Mac Blades size 1,2,3,4

MD Pakistan



Functions and Features:

- The Standard Range Of Laryngoscope Blades (Blade Size: 1,2,3 and 4) And Handle Are Crafted By Superior Quality.
- Brushed Satin Finish Reduces Glare And Fits To All Conventional Penlite Handles. The Atraumatic Tip Provides Patient Safety And Comfort During Intubation
- Excellent visibility. Strong, focused consistent and Bright light transmission. Surgical grade stainless steel 304.
- Blade Crafted From Highest Quality Stainless Steel.
- The Light Bulb In The Blade Can Easily Be Changed.
- Supplied With 3 Blades Size 00, 0 and 1 with Handle.

10.3 Otoscope



PRIMA OTOSCOPE WITH DIRECT ILLUMINATION

MD Pakistan

Prima Otoscope is a direct illumination diagnostic instrument for the examination of the auditory canal. Securely designed with a complete metal body construction, equipped with a large diameter scratch proof viewing window with 3x magnification. Easy to use with Reusable specula, Disposable Specula and the Nasal Specula. The instrument can only be used with the Prima Handle.

SPECIFICATIONS

- All metal construction for durability.
- Large Diameter scratch proof viewing window with 3x magnification.
- Direct illumination.
- Can be easily used with Reusable and Disposable ear Specula, and Nasal Specula.
- Fixed insufflation port to test tympanic mobility.
- Handle equipped with a brightness control mechanism for variable regulation of light.
- Equipped with durable and easy locking system.

10.4 Indirect ophthalmoscope



Indirect Ophthalmoscope

MD Pakistan

Accurate diagnosis at first glance. Direct ophthalmoscope with special optical system that provides a particularly clear and bright image of the fundus. Sturdy and handy – ideal for mobile use. 6 different apertures – always the right setting for different examination situations.

Functions and Features:

- Reliable diagnosis.
- Optimum illumination.
- Exceptional durability.
- Easy to use.
- Flexible power source options.

10.5 Vein Viewer



Vein finder

Piegon China - DV A30

Functions and Features:

Used to observe subcutaneous superficial veins and assist venipuncture.
Provides quick vascular assessment and finding of patients so that medical staff can perform venipuncture without patient contact during use.

MOTORS PLASTER SAW



► 11.1. Motors -Plaster Saw.

11.1 Plaster Saw



Plaster Saw

Barmed - Gemany

Functions and Features:

- Electrical 220V 50 Hz.
- Low noise total optimized mechanical structure and parts design.
- Alloy blades are suitable for long time use.
- The function of parenchyma protection is safe & reliable.

DERMATOLOGY



- ▶ **12.1. Electrosurgical Unit.**
- ▶ **12.2. Cryo Gun.**
- ▶ **12.3. Liquid Nitrogen Tank.**

12.1 Electrosurgical Unit

Bipolar and Monopolar Electrosurgical Unit

ITC- Korea Minicog

Functions and Features:

- **Application:** dermatology, Ophthalmology, ENT.
- **Mode:** Cog 90W.
- **Bipolar:** 90W.
- **Weight:** 2.2Kg.
- **Dimension:** 196mm, 165mm, 66mm.



12.2 Cryo Gun

(500ml) Cryo Gun

Brymill-Spain - B-700

Functions and Features:

- Fingertip trigger for maximum control and ease of viewing.
- Patented Safety Autovent maximizes safety by allowing internal pressure to gradually vent as the cap is unscrewed.
- Streamlined relief valve maintains a constant operating pressure to ensure consistent and accurate freezing.
- Polypropylene Cover and Collar insulates the user's hand.
- Stainless steel and brass construction for long life Sturdy Delrin base for extra stability.



12.3 Liquid Nitrogen Tank

30 Liters Liquid Nitrogen Tank

Brymill – Spain - YDS 30L

Functions and Features:

- THE YDS SERIES, MANUFACTURED BY CHART, IS DESIGNED SPECIFICALLY FOR LIQUID NITROGEN STORAGE AND CHARACTERISED BY THE SMALL CALIBERS AND LOW STATIC EVAPORATION LOSS.

Main Features:

- High-strength aluminum alloy structure.
- Multi-layer thermal isolation design.
- Protective jacket to prevent collision.



MEDICAL GAS EQUIPMENT

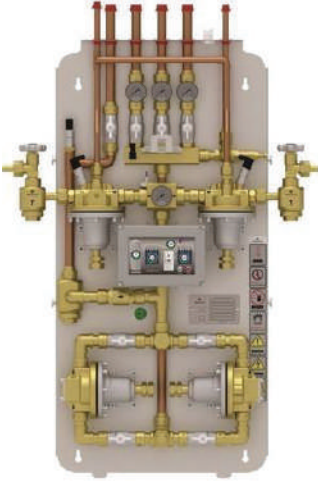


- ▶ **13.1. 220 m³/h Medical Gas Pressure manifold with Ramps for 10 Cylinders.**
- ▶ **13.2. Medical Air Compressor.**
- ▶ **13.3. Bedhead Units.**
- ▶ **13.4. Gas Outlets.**
- ▶ **13.5. Oxygen Regulators.**
- ▶ **13.6. Vacuum Regulator.**

13.1 Medical gas pressure regulator

220 m³/h Medical Gas Pressure manifold with Ramps for 10 Cylinders

Megasan Turkey



By reducing the pressure of the cylinders coming in at high pressure, it ensures that the medical devices and instruments on the installation are adjusted to safe working pressures and guarantees uninterrupted gas flow thanks to the automatic switching system.

Input Point:

- 2 Main ramp each ramp Serve 5 Cylinders.
- Backup Ramp, External Supply, Emergency Case.
- Supply Unit Operating Temp: (+10) - (+45) C°.
- Power Supply: 220 V 50 Hz 100 Watt.
- Alarm System : Digital LCD, Alarm, Sound.

Fluid type	O2
Applications	medical, laboratory
Features	high-pressure
Flow	220 m ³ /h
Inlet pressure	Min.: 0 bar, Max.: 230 bar
Output pressure	Min.: 4 bar, Max.: 7 bar
Weight	45 kg

13.2 Medical Air Compressor

Medical Air Compressor with Dryer and 500Liter Tank

DISCOVER Turkey - JAG-TD11

Functions and Features:

- Engine 11 Kw.
- HP 15.
- Capacity 1.1-1.7 m³/min.
- Air tank 500Liter.
- Drive System :BELT DRIVE.
- Volume 72db (A).

7.5Medical Air Compressor with Dryer and 500Liter Tank

DISCOVER Turkey - JAG-TD7

Functions and Features:

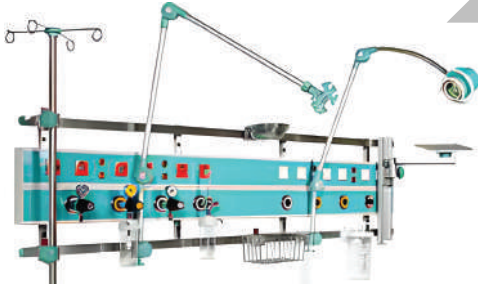
- Engine 7.5 Kw.
- HP 10.
- Capacity 0.75-1.1 m³/min.
- Air tank 500Liter.
- Drive System: BELT DRIVE.
- Volume 72db (A).



13.3 Bedhead Units

Intensive care unit has O2, MA4 and Vacuum gas outlets on it

Megasan Turkey - MG-YOYA



Functions and Features:

- ICU includes also various electric sockets.
- The connection points on the ICU allow you to connect all equipment that needed for patient.
- **Areas of use:** Generally in Intensive care rooms (Internal, Surgery, Cardiology, and Newborn ICR).
- In some applications, it may be used in emergency rooms.
- **Installation Space:** Enough flat wall width is needed.

MAKASLI Patient Bedhead Unit

Megasan Turkey Scissor



Functions and Features:

- Systems in which electricity, lighting, weak current and medical gases needed for patients are available as a whole.

STANDARD Patient Bedhead Unit

Megasan Turkey - MG-HB



Specification

- Systems in which electricity, lighting, weak current and medical gases needed for patients are available as a whole.

13.4 Oxygen Outlets

Wide Range of Gas Outlet With Box

Megasan Turkey - Mg-OPK-DIN

Available Models

O2 – NFO2 - DIN , Air – NF, Air - DIN

N2O – NF , N2O - DIN , Vacuum – NF , Vacuum - DIN.

- Medical gas sockets provide quick and easy connection of medical equipment to the centralized system of medical gas supply.
- The sockets are intended only for certain gases, the erroneous connection of parts of the connectors for different gases is excluded.
- Sockets meet the requirements of the ISO7396 standard (requirements for installation, commissioning, operation) and the requirements of the national standard ISO EN 9170-1.



13.5 Oxygen Regulators

High Pressure Oxygen Regulator with NF outlet

Hersill Spain - P300

Functions and Features:

- The P-300 oxygen pressure regulators are small, lightweight and ready to work up to a pressure of 300 bar.
- Perfect for achieving maximum precision in medical oxygen therapy with the highest number of flow steps (14) combined with the smallest flow range available on the market.



Wall Mount Oxygen Regulator – AFNOR

Megasan Turkey - Mg-FLSS

Regulates O2 flow rate, and humidifies O2.
Humidified and vaporized oxygen is served to the patients.

Functions and Features:

- Carton Box Package Sizes: 33x17x14cm.



Wall Mount Oxygen Regulator – DIN

Megasan Turkey - Mg-FLSS

Regulates O2 flow rate, and humidifies O2.
Humidified and vaporized oxygen is served to the patients.

Functions and Features:

- Carton Box Package Sizes: 33x17x14cm.



Oxygen regulator for cylinder

Megasan Turkey - MG-TC

Regulates O2 flow rate, and humidifies O2.
Humidified and vaporized oxygen is served to the patients.

Functions and Features:

- Carton Box Package Sizes: 33x17x14cm.



13.6 Vacuum Regulator



Vacuum Pressure Regulator

Megasan-Turkey - MG-VRMA

It regulates the vacuum pressure and flow ensuring the connection between gas outlets and medical devices.

Technical specifications:

- provided with vacuum gauge.
- suction level adjustment valve.
- valve for connecting to a terminal unit.
- operating limits 0 - 760 mmHg.
- exact adjustment of the vacuum level.
- connection according to DIN.
- on-off lever (quick action).
- **optional:** clamp for mounting on eurorail rail.
- weight: 535 gr.



Wall Mount 2Liter Suction Jar

Megasan Turkey - MG-MVK2

Vacuum jar is used for collecting liquids while aspiration from patient. It prevents leaking dirt into vacuum system. Technical Specifications:
 x:1 (1 lt), 2 (2 lt) y:D (Wall Type), R (Rail Type) Packaging Type : Carton Box.